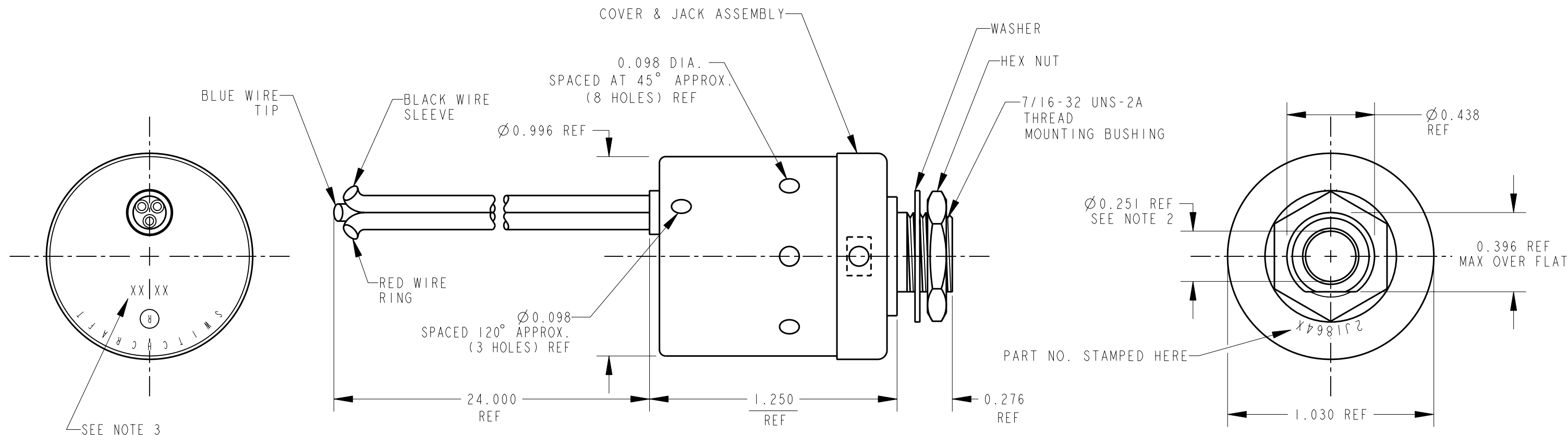


NOTES:

- COVER ASSEMBLY IS PERMANENTLY SECURED TO CAN ASSEMBLY.
- MATES WITH SWITCHCRAFT NO. 482 PLUG.
- INK STAMP; MANUFACTURING DATE CODE: XX XX
YEAR WEEK
- USE LEAD-FREE TIN & SOLDER.
- THIS PRODUCT IS RoHS COMPLIANT.



MATERIAL SPECIFICATIONS:

MOUNTING BUSHING:	BRASS, NICKEL PLATED
INSULATION:	PAPER BASE PHENOLIC
TIP & RING SPRINGS:	NICKEL SILVER, INTEGRAL CONTACTS
SLEEVE TERMINALS:	BRASS, HOT TINNED
CAN:	BRASS, NICKEL PLATED
COVER:	BRASS, NICKEL PLATED
BUSHING:	MOLDED NYLON
WASHER:	STEEL, NICKEL PLATED
HEX NUT:	BRASS, NICKEL PLATED
WIRE:	SINGLE CONDUCTOR, UNSHIELDED, 18 AWG (19 X 30), SILVER COATED COPPER

CUSTOMER DRAWING

REV	ECO NUMBER	DATE	BY	APVD
D	27536	7-8-15	TJK	TJK
C	26619	9-15-10	TJK	TJK
B	25932	8-21-08	JEB	TJK
A	25416	8-5-06	JEB	TJK

★ STAR SYMBOL DENOTES CRITICAL DIMENSION

UNLESS OTHERWISE SPECIFIED

- ALL DIMENSIONS IN INCHES
- TWO PLACE DECIMALS ±0.01
- THREE PLACE DECIMALS ±0.005
- ANGLES ±1°
- ALL DIA. CONCENTRIC WITHIN 0.005 T.I.R.
- FEATURES ON THE SAME CENTERLINE MUST BE ALIGNED WITHIN ±0.002
- REMOVE ALL BURRS

DO NOT SCALE DRAWING

THIS DRAWING DESCRIBES A DESIGN CONSIDERED PROPRIETARY IN NATURE, DEVELOPED AND MANUFACTURED BY SWITCHCRAFT INC. AND IS RELEASED ON A CONFIDENTIAL BASIS FOR IDENTIFICATION PURPOSES ONLY.									
SIZE	WIDTH	MULT	LBS/M	TEMPER					
FINISH					MATERIAL				
SPEC No.					SPEC No.				
FIRST USED ON					SCALE				
					2:1				
DATE DRAWN	BY	CHKD	APVD						
20-Oct-08	JEB	JEB	TJK						
			10-20-08						
			10-24-08						
NAME SHIELDED "LITTEL JAX" ASSEMBLY, RoHS								PART No.	REV
								2J1864X	D