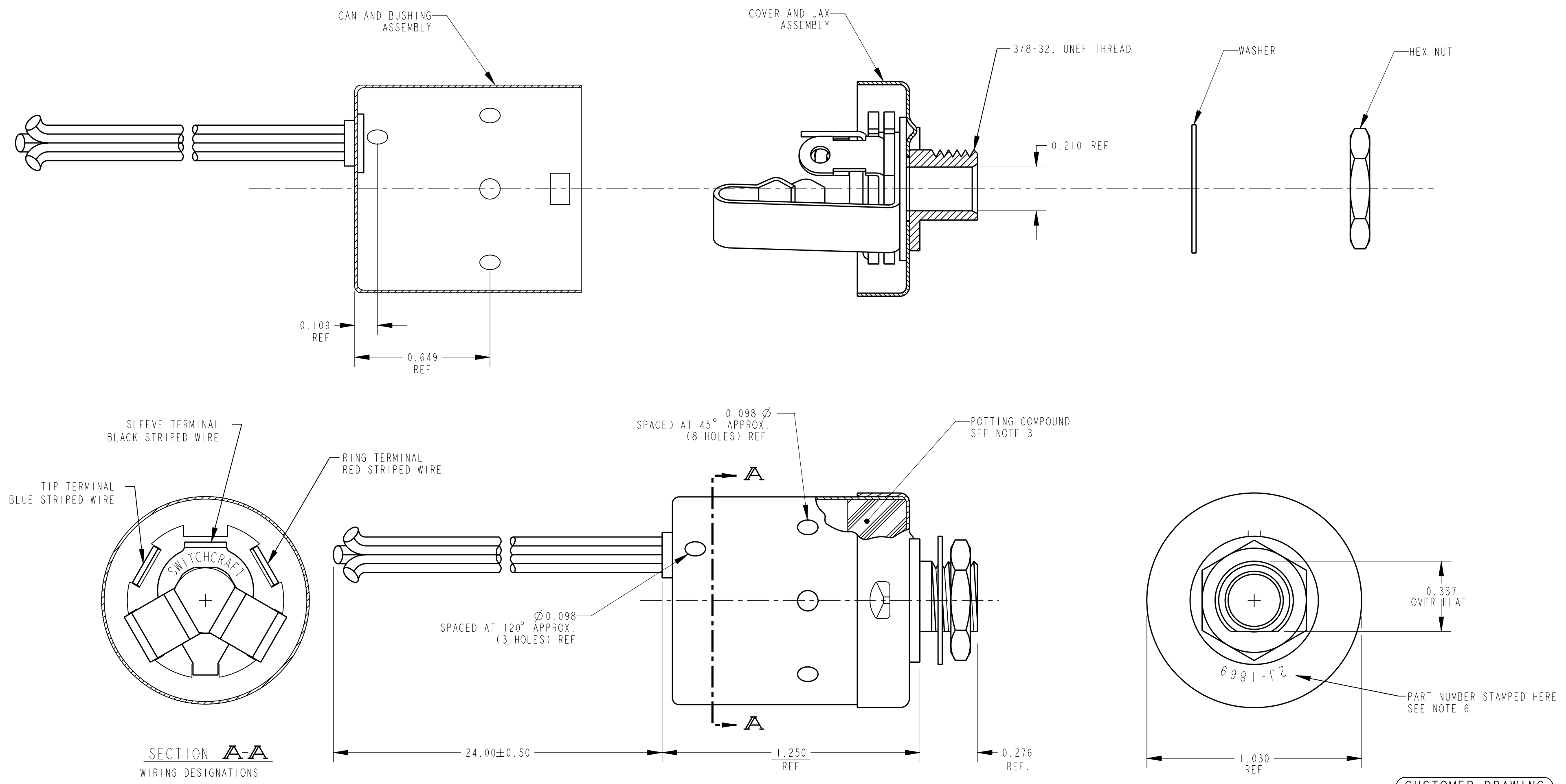


- NOTES:**
1. MATES WITH SWITCHCRAFT® NO. 480 PLUG.
 2. COVER IS PERMANENTLY SECURED TO CAN AFTER FINAL ASSEMBLY.
 3. JACK INSULATORS ARE COMPLETELY ENCASED IN DOW CORNING RTV 3110 POTTING COMPOUND.
 4. LEAD WIRE IS MIL-W-22759/34, 20 AWG.
 5. SOLDERED WIRE CONNECTIONS AND JACK TERMINALS ARE FULLY INSULATED WITH PVC HEAT SHRINK SLEEVES.
 6. MAINTAIN PART NUMBER WITH DASH AS SHOWN ON BOM, DRAWING, AND SHIPPING BARCODE LABEL.



CUSTOMER DRAWING

CUSTOMER: BOEING COMMERCIAL AIRPLANES

REV	ECO NUMBER	DATE	BY	APVD
B	27536	7-08-15	PC	TJK
A	25376	7-28-06	JEB	TJK

★ STAR SYMBOL DENOTES CRITICAL DIMENSION

UNLESS OTHERWISE SPECIFIED

1. ALL DIMENSIONS IN INCHES
- TWO PLACE DECIMALS ±0.01
- THREE PLACE DECIMALS ±0.005
- ANGLES ±1°
- ALL DIA. CONCENTRIC WITHIN 0.005 T.I.R.
2. FEATURES ON THE SAME CENTERLINE MUST BE ALIGNED WITHIN ±0.002
3. REMOVE ALL BURRS

DO NOT SCALE DRAWING

THIS DRAWING DESCRIBES A DESIGN CONSIDERED PROPRIETARY IN NATURE, DEVELOPED AND MANUFACTURED BY SWITCHCRAFT INC. AND IS RELEASED ON A CONFIDENTIAL BASIS FOR IDENTIFICATION PURPOSES ONLY.				
SIZE	WIDTH	MULT	LBS/M	TEMPER
FINISH SPEC No.		MATERIAL SPEC No.		
FIRST USED ON		SCALE		
DATE DRAWN		BY	CHKD	APVD
21-Aug-09		JEB	JEB	TJK
			08-21-09	08-24-09
NAME			PART No.	
SHIELDED "LITTEL JAX" ASSEMBLY			2J-1869	
				REV B

