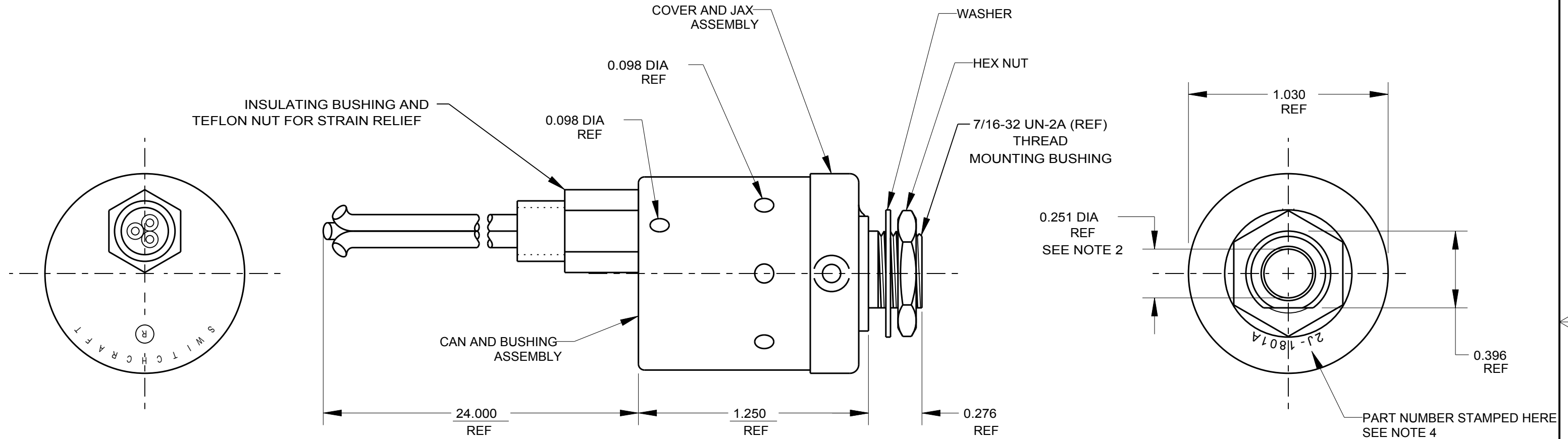


NOTES:

1. COVER ASSEMBLY IS PERMANENTLY SECURED TO CAN ASSEMBLY.
2. MATES WITH SWITCHCRAFT NO. 482 PLUG.
3. PACKAGED INDIVIDUALLY WRAPPED WITH NEUTRAL KRAFT PAPER, ONE PER MIL-B-121 BAG, ALL OVERBOXED INTO A CARTON.
4. MAINTAIN PART NUMBER WITH DASH AS SHOWN ON BOM, DRAWING AND SHIPPING BAR CODE LABEL.



MATERIAL SPECIFICATIONS:

- MOUNTING BUSHING: BRASS, NICKEL PLATED
- INSULATION: PAPER BASE PHENOLIC.
- TIP & RING SPRINGS: NICKEL SILVER, INTEGRAL CONTACTS.
- SLEEVE TERMINALS: BRASS, HOT TINNED
- CAN: BRASS, NICKEL PLATED
- COVER: BRASS, NICKEL PLATED
- WASHER: STEEL, NICKEL PLATED
- HEX NUT: BRASS, NICKEL PLATED
- WIRE: SINGLE CONDUCTOR, UNSHIELDED, 18 AWG (19 X 30), SILVER COATED COPPER,
- INSULATING BUSHING: TEFLON
- TEFLON NUT: TEFLON

WIRING
 TIP TERMINAL - BLUE WIRE
 SLEEVE TERMINAL - BLACK WIRE
 RING TERMINAL - RED WIRE

CUSTOMER DRAWING

CUSTOMER: ROHR CORP.

REV	ECO NUMBER	DATE	BY	APVD
C	28039	06-04-18	PC	TJK
B	27536	7-08-15	PC	TJK
A	25376	08-21-09	TJK	TJK

★ STAR SYMBOL DENOTES CRITICAL DIMENSION

UNLESS OTHERWISE SPECIFIED

1. ALL DIMENSIONS IN INCHES
 -TWO PLACE DECIMALS ±0.01
 -THREE PLACE DECIMALS ±0.005
 -ANGLES ±1°
 -ALL DIA. CONCENTRIC WITHIN 0.005 T.I.R.
2. FEATURES ON THE SAME CENTERLINE MUST BE ALIGNED WITHIN ±0.002
3. REMOVE ALL BURRS

DO NOT SCALE DRAWING

THIS DRAWING DESCRIBES A DESIGN CONSIDERED PROPRIETARY IN NATURE, DEVELOPED AND MANUFACTURED BY SWITCHCRAFT INC. AND IS RELEASED ON A CONFIDENTIAL BASIS FOR IDENTIFICATION PURPOSES ONLY.									
SIZE	WIDTH	MULT	LBS/M	TEMPER					
FINISH					MATERIAL				
SPEC No.					SPEC No.				
FIRST USED ON					SCALE NONE				
DATE DRAWN	BY	CHKD	APVD						
28-Mar-07	TJK	TJK	TJK						
			3-28-07						
NAME					PART No.				
SHIELDED "LITTEL JAX" ASSEMBLY					2J-1801A				
					REV C				

Switchcraft

SHEET 1 OF 1