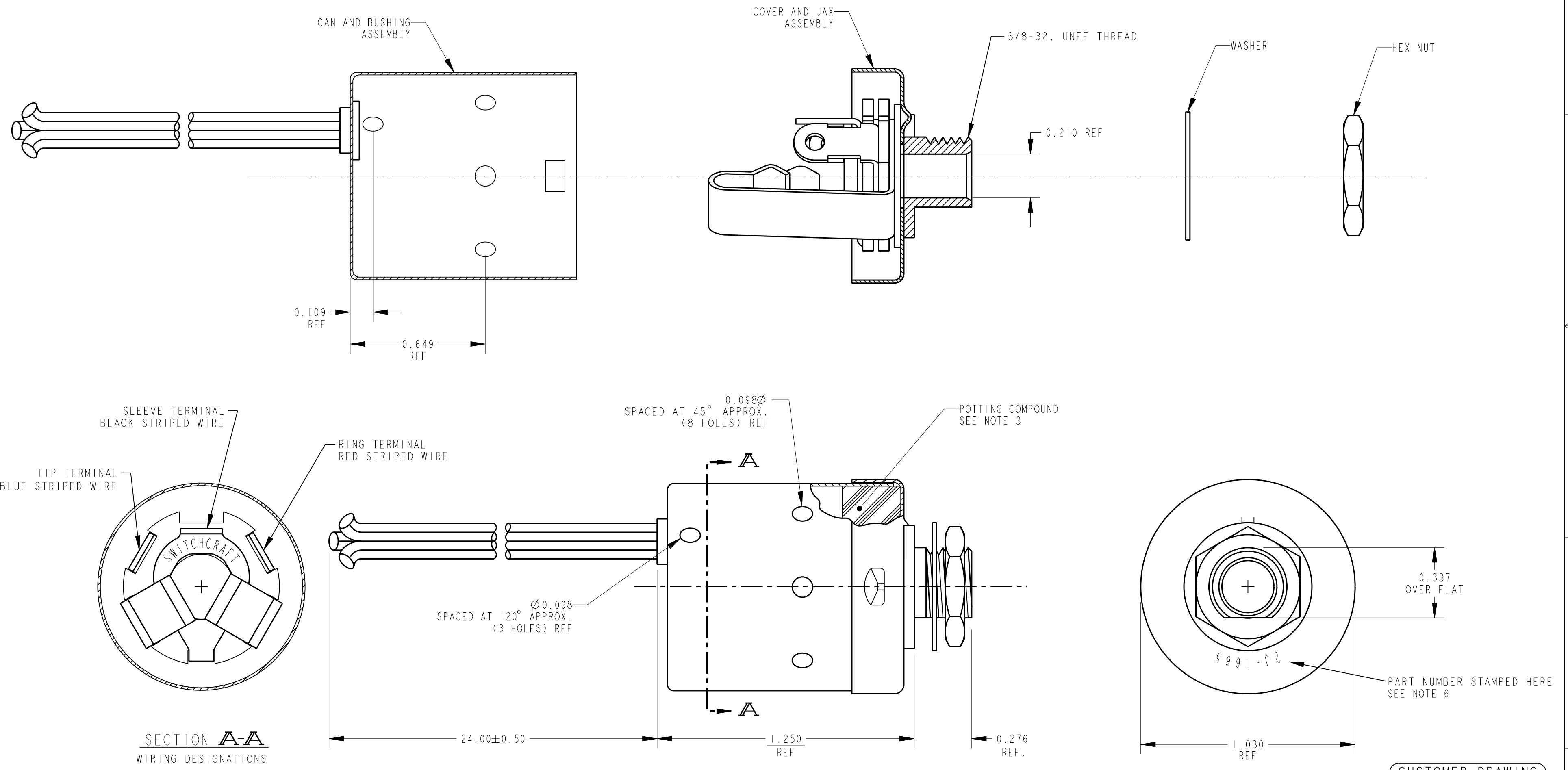


**NOTES:**

1. MATES WITH SWITCHCRAFT® NO. 480 PLUG.
2. COVER IS PERMANENTLY SECURED TO CAN AFTER FINAL ASSEMBLY.
3. JACK INSULATORS ARE COMPLETELY ENCASED IN DOW CORNING RTV 3110 POTTING COMPOUND.
4. LEAD WIRE IS MIL-W-5086A, TYPE II AN22-9, 22AWG.
5. SOLDERED WIRE CONNECTIONS AND JACK TERMINALS ARE FULLY INSULATED WITH PVC HEAT SHRINK SLEEVES.
6. MAINTAIN PART NUMBER WITH DASH AS SHOWN ON BOM, DRAWING, AND SHIPPING BARCODE LABEL.



<p>★ STAR SYMBOL DENOTES CRITICAL DIMENSION</p> <p>UNLESS OTHERWISE SPECIFIED</p> <p>1. ALL DIMENSIONS IN INCHES          - TWO PLACE DECIMALS ±0.01          - THREE PLACE DECIMALS ±0.005          - ANGLES ±1°          - ALL DIA. CONCENTRIC WITHIN 0.005 T.I.R.</p> <p>2. FEATURES ON THE SAME CENTERLINE MUST BE ALIGNED WITHIN ±0.002</p> <p>3. REMOVE ALL BURRS</p> <p>DO NOT SCALE DRAWING</p>					<p>THIS DRAWING DESCRIBES A DESIGN CONSIDERED PROPRIETARY IN NATURE, DEVELOPED AND MANUFACTURED BY SWITCHCRAFT INC. AND IS RELEASED ON A CONFIDENTIAL BASIS FOR IDENTIFICATION PURPOSES ONLY.</p>				
					SIZE	WIDTH	MULT	LBS/M	TEMPER
FINISH SPEC No.			FIRST USED ON		SCALE I = 0.375		<p><b>Switchcraft®</b></p>		
DATE DRAWN	BY	CHKD	APVD			SHEET   OF			
20-Aug-09	JEB	JEB	TJK	08-20-09	08-21-09	REV B			
NAME SHIELDED "LITTEL JAX" ASSEMBLY							PART No. 2J-1665		
REVISIONS									
REV	ECO NUMBER	DATE	BY	APVD					
B	27536	7-08-15	PC	TJK					
A	25376	7-28-06	JEB	TJK					