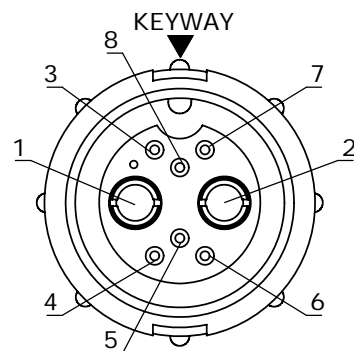
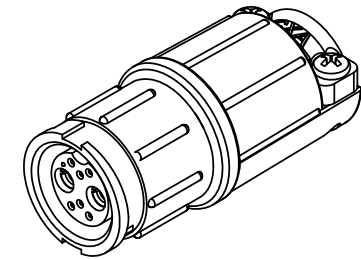


CUSTOMER PRINT

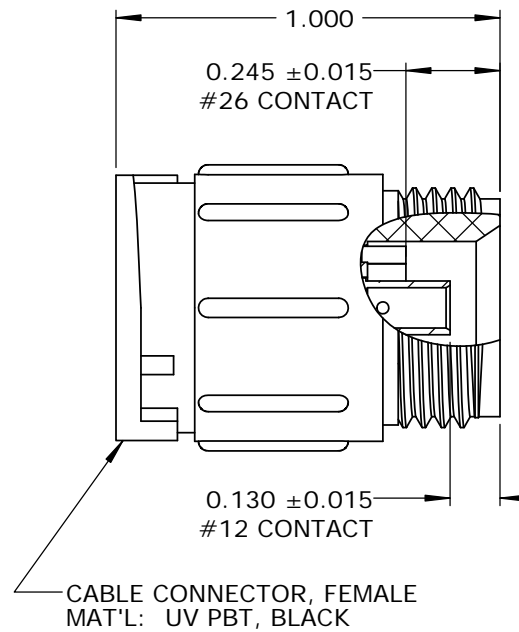
PART NUMBER: W5B80-8SG-5XX

- NOTES:
 1. ALL PARTS TO BE BULK PACKED.
 2. CONTACTS ARE SUPPLIED LOOSE.
 3. ALL DIMENSIONS ARE FOR REFERENCE ONLY EXCEPT WHERE NOTED WITH TOLERANCE.

ASSY P/N	CABLE O.D.
W5B80-8SG-535	.350-.400 IN. [8.9-10.2mm]

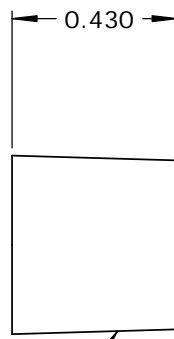


FACE VIEW

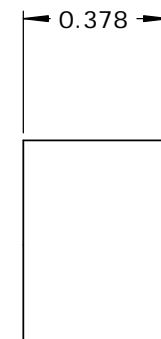


(6) #26 SOCKET CONTACT
 CRIMP STYLE
 MAT'L: COPPER ALLOY
 GOLD PLATED

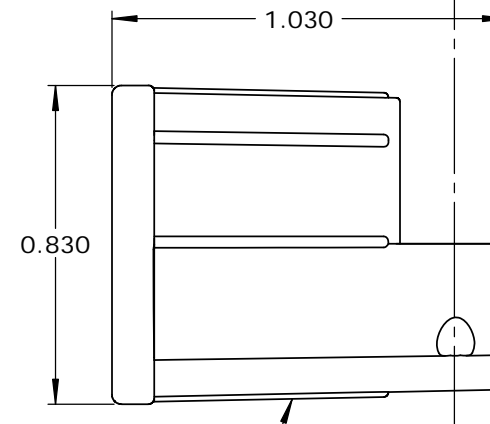
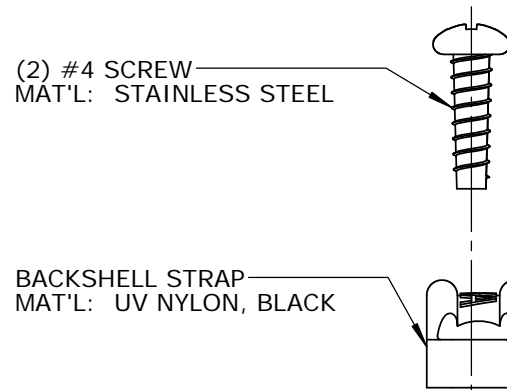
(2) #12 SOCKET CONTACT
 CRIMP STYLE
 MAT'L: COPPER ALLOY
 GOLD PLATED



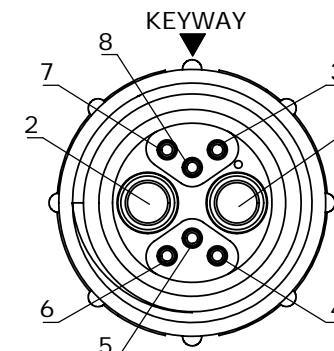
GROMMET
 MAT'L: RUBBER,
 BLACK



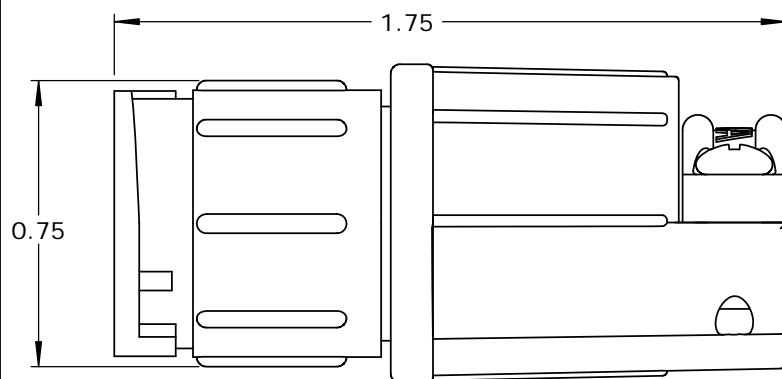
SLEEVE
 MAT'L: PBT, BLACK



BACKSHELL
 MAT'L: UV PBT, BLACK



WIRE VIEW



CUSTOMER APPROVAL

THIS DOCUMENT CONTAINS CONFIDENTIAL INFORMATION PROPRIETARY TO CONXALL CORPORATION. ANY REPRODUCTION, DISCLOSURE, OR USE OF THIS DOCUMENT /INFORMATION IS EXPRESSLY PROHIBITED UNLESS AUTHORIZED IN WRITING BY CONXALL CORPORATION.

APPROVED BY: _____
 DATE: _____

RoHS COMPLIANT

A	AB	05-10-19	RELEASE PER DOR 14-6281TC
REV.	INIT.	DATE	DESCRIPTION
<small>ALL INFORMATION ILLUSTRATED IS THE PROPERTY OF CONXALL CORPORATION. UNAUTHORIZED DUPLICATION OR DISTRIBUTION OF THIS DOCUMENT IS PROHIBITED.</small>			ORIG. DRAWN BY: AB DATE: 08-21-14 CHECKED BY:
<small>ALL UNITS ARE IN FEET, INCHES, FRACTION OF INCHES AND DECIMALS.</small>			APPROVED BY: _____ TITLE: CABLE TO CABLE CONNECTOR KIT (2)#12 + (6)#26 SOCKET CONTACTS, CRIMP MULTI-CON-X, WEATHER RESISTANT CUSTOMER: STANDARD PRODUCT
SCALE	SIZE	SHEET	
NTS	B	1 OF 1	
FILE:	DIRECTORY:	PART NUMBER:	REV
SAME AS P/N	SLW	W5B80-8SG-5XX	A

