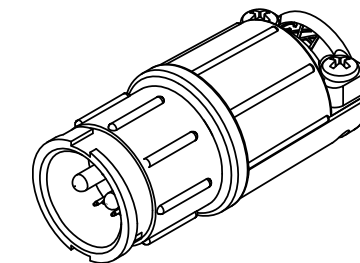
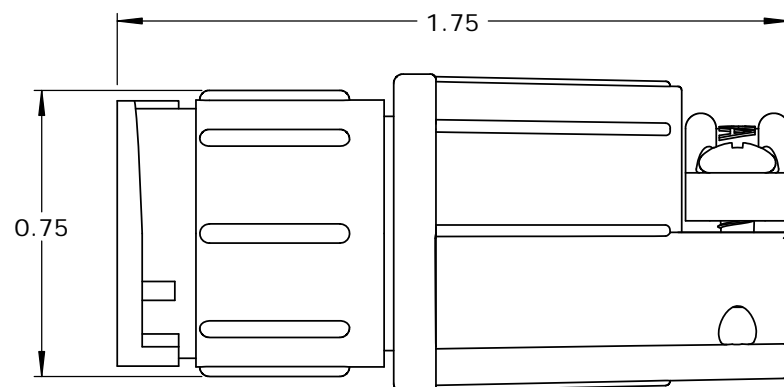
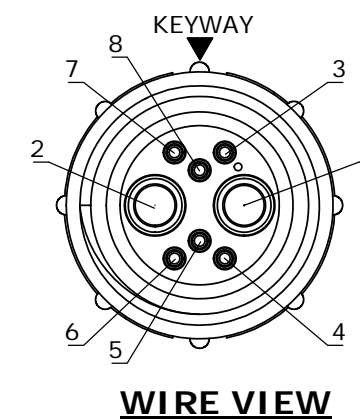
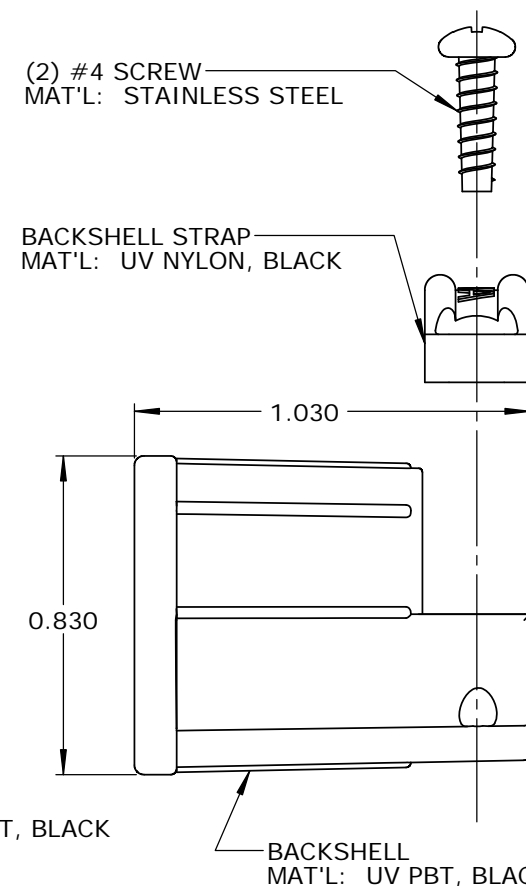
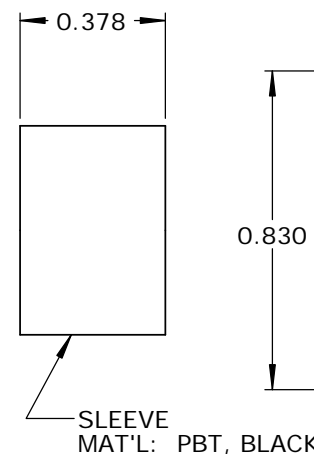
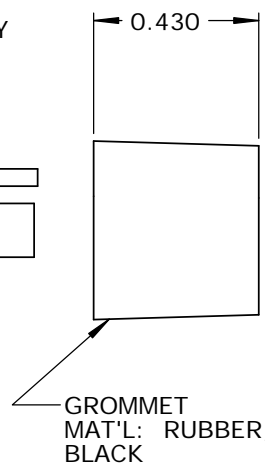
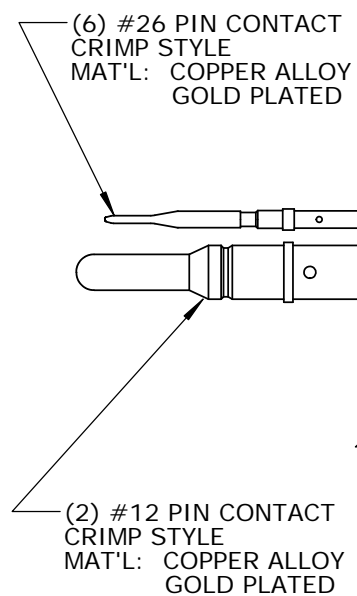
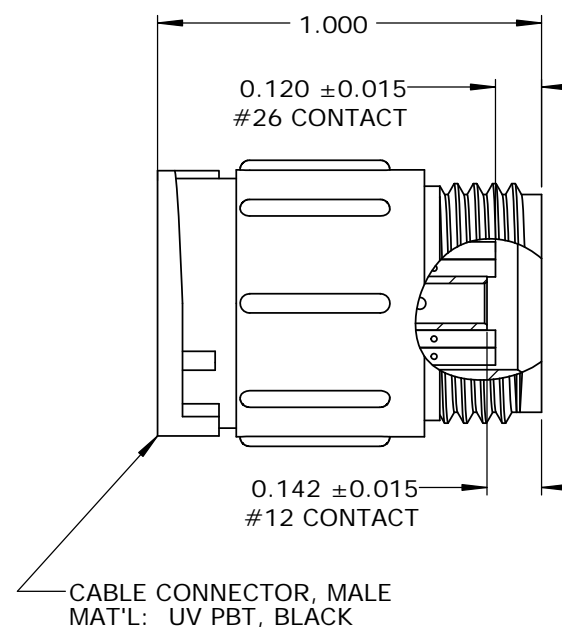
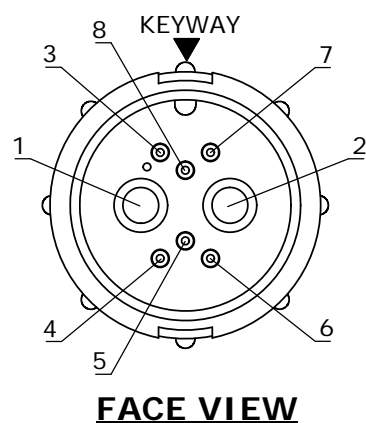


ASSY P/N	CABLE O.D.
W5B80-8PG-535	.350-.400 IN. [8.9-10.2mm]



- NOTES:
 1. ALL PARTS TO BE BULK PACKED.
 2. CONTACTS ARE SUPPLIED LOOSE.
 3. ALL DIMENSIONS ARE FOR REFERENCE ONLY EXCEPT WHERE NOTED WITH TOLERANCE.



CUSTOMER APPROVAL

THIS DOCUMENT CONTAINS CONFIDENTIAL INFORMATION PROPRIETARY TO CONXALL CORPORATION. ANY REPRODUCTION, DISCLOSURE, OR USE OF THIS DOCUMENT /INFORMATION IS EXPRESSLY PROHIBITED UNLESS AUTHORIZED IN WRITING BY CONXALL CORPORATION.

APPROVED BY: _____
 DATE: _____

RoHS COMPLIANT

A	AB	05-10-19	RELEASE PER DOR 14-6281TC
REV.	INIT.	DATE	DESCRIPTION
ALL INFORMATION ILLUSTRATED IS THE PROPERTY OF CONXALL CORPORATION. UNAUTHORIZED DUPLICATION OR DISTRIBUTION OF THIS DOCUMENT IS PROHIBITED.		ORIG. DRAWN BY: AB	DATE: 08-21-14
ALL UNITS ARE IN FEET, INCHES, FRACTION OF INCHES AND DECIMALS.		CHECKED BY:	 601 E. WILDWOOD VILLA PARK, IL 60181
APPROVED BY:		TITLE: CABLE TO CABLE CONNECTOR KIT (2) #12 + (6) #26 PIN CONTACTS, CRIMP MULTI-CON-X, WEATHER RESISTANT	
SCALE: NTS	SIZE: B	SHEET: 1 OF 1	CUSTOMER: STANDARD PRODUCT
FILE: SAME AS P/N	DIRECTORY: SLW	PART NUMBER: W5B80-8PG-5XX	REV: A

CUSTOMER PRINT

PART NUMBER: W5B80-8PG-5XX