

NOTES:

- 1. THE XLR CONNECTOR IS WIRED PIN-1 GROUND, PIN-2 HOT AND PIN-3 COLD.
- 2. MATERIALS:
HOUSING AND COMPONENT END PANELS - ALUMINUM, BLACK ANODIZED
CORNER GUARDS - TPE, BLUE
- 3. LASER ETCHED WHITE TEXT AND ARTWORK.
- 4. THIS PRODUCT IS RoHS COMPLIANT.

CUSTOMER DRAWING

UNLESS OTHERWISE SPECIFIED					THIS DRAWING DESCRIBES A DESIGN CONSIDERED PROPRIETARY IN NATURE, DEVELOPED AND MANUFACTURED BY SWITCHCRAFT INC. AND IS RELEASED ON A CONFIDENTIAL BASIS FOR IDENTIFICATION PURPOSES ONLY.						
1. ALL DIMENSIONS IN INCHES					SIZE	WIDTH	MULT	LBS/M	TEMPER		
- TWO PLACE DECIMALS ±0.02					FINISH				MATERIAL		
- THREE PLACE DECIMALS ±0.005					FIRST USED ON				SPEC No.		
D	28636	11/17/23	PC	TJK	SCALE				Switchcraft®		
C	28564	2/13/23	TJK	TJK	1:1						
B	27673	5-1-16	TO	TJK	DATE DRAWN	BY	CHKD	APVD	SHEET 1 OF 3		
A	26565	7-20-10	BHM	TJK	3/2/10	BHM	7-20-10	BHM			
REV	ECO NUMBER	DATE	BY	APVD	NAME				PART No.	REV	
REVISIONS					DO NOT SCALE DRAWING				INSTRUMENT DIRECT BOX, RoHS	SC800CT	D

SC800CT Instrument Direct Box

Audio Specifications

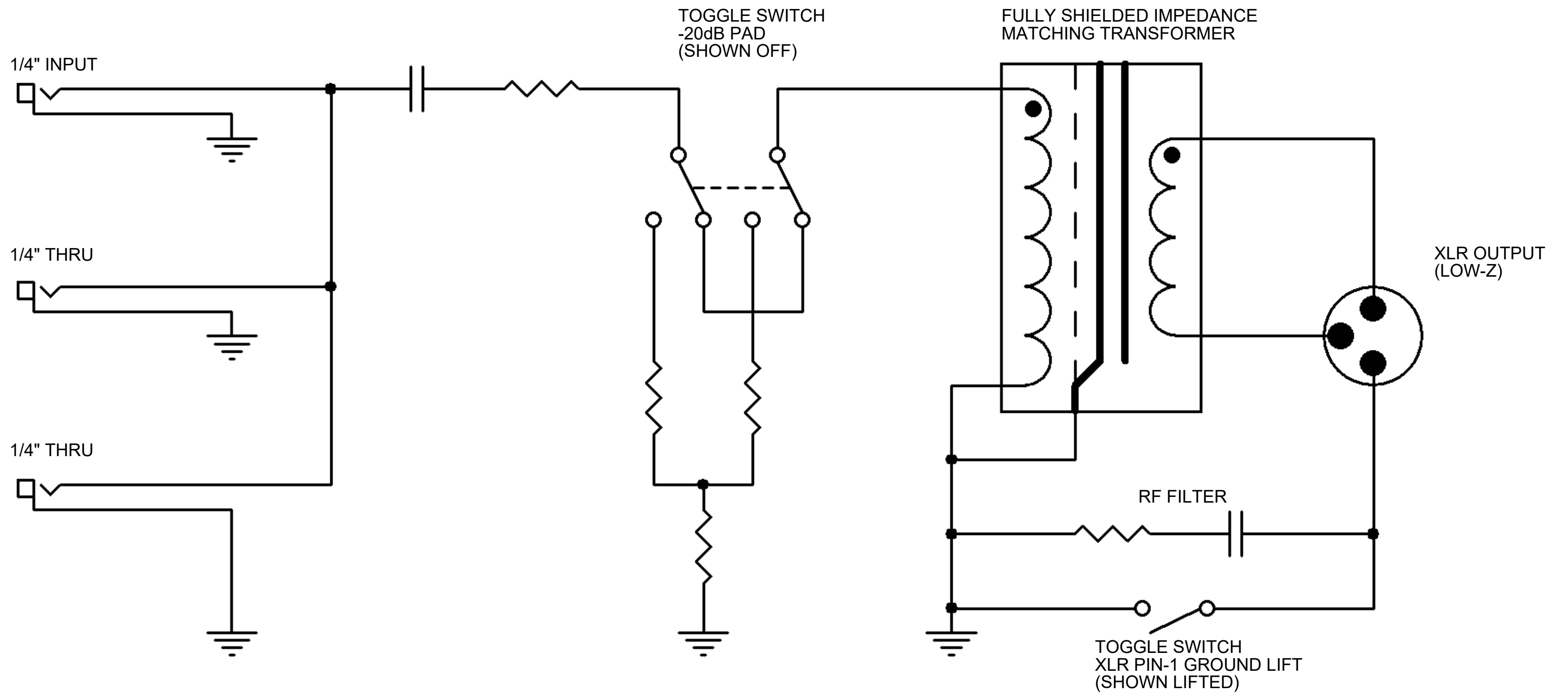
Switchcraft®

Parameter	Performance	Conditions
Frequency Response	20Hz - 20kHz	+/-0.3dB, ref 1kHz
Total Harmonic Distortion + Noise	< 0.007% < 0.15%	at 1kHz, +4dBu Input, 22kHz Bandwidth at 20Hz, +4dBu Input, 22kHz Bandwidth
Maximum Input Level	+19dBu	at 20Hz with 1% THD+Noise
Input Impedance	> 120kΩ	at 1kHz
Output Impedance	< 20Ω	at 1kHz
Common Mode Rejection Ratio (CMRR)	> 92dB	at 60Hz
Deviation from Linear Phase	< 4° < 1° < 9°	at 20Hz at 1kHz at 20kHz
Voltage Gain	-22dB -42dB	+/-1dB +/-1dB with 20dB pad engaged
Pad Attenuation	20dB	+/-1dB

Notes: All measurements were taken with a 25Ω unbalanced source and measured from the XLR with a 1kΩ balanced load.
Specifications subject to change without notice.

CUSTOMER DRAWING

SCALE 1:1	Switchcraft®	
DATE DRAWN 3/2/10		
DRAWN BY BHM	PART No. SC800CT	REV D



CUSTOMER DRAWING

SCALE 1:1	Switchcraft®	
DATE DRAWN 3/2/10		
DRAWN BY BHM	PART No. SC800CT	REV D