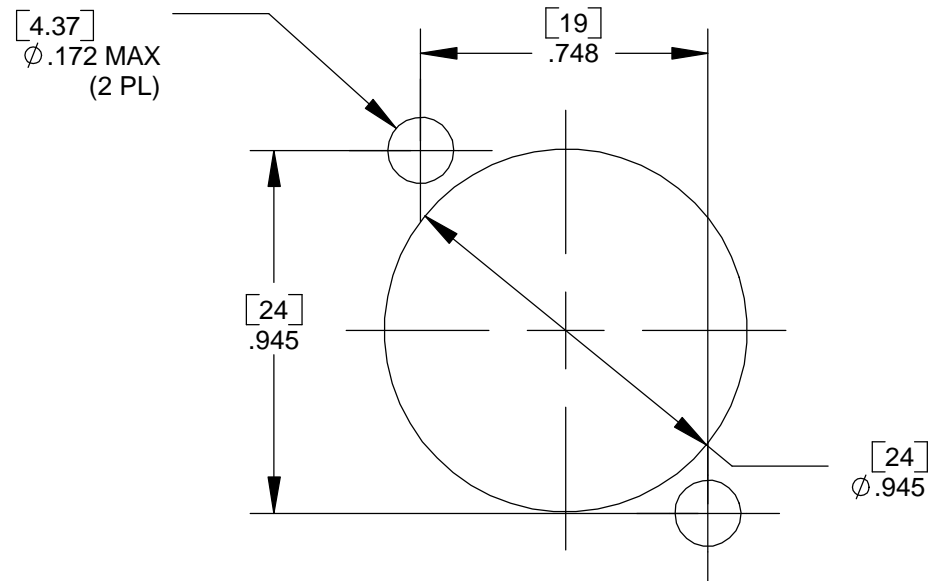


M4 x 0.5 THREAD
FOR REAR PANEL
MOUNTING
(2 PL)



RECOMMENDED PANEL CUT-OUT

CONTACT PLATING SPECIFICATIONS

SILVER PLATING: 120 µin [3 µm]

GOLD PLATING: 20 µin [0.5 µm] GOLD
OVER 200 µin [5 µm] NICKEL

PART NUMBER	CONTACT PLATING	HOUSING PLATING
E3FSCM4	SILVER	NICKEL
E3FSCAUM4	GOLD	NICKEL
E3FSCBM4	SILVER	BLACK CHROME
E3FSCBAUM4	GOLD	BLACK CHROME

CUSTOMER DRAWING

REV	ECO NUMBER	DATE	BY	APVD
A	24694	5-12-04	JL	MA
REVISIONS				

UNLESS OTHERWISE SPECIFIED

1. ALL DIMENSIONS IN INCHES
DIMENSIONS IN BRACKETS []
ARE MILLIMETERS

2. TOLERANCES:

- TWO PLACE DECIMALS ±0.02

- THREE PLACE DECIMALS ±0.005

DO NOT SCALE DRAWING

THIS DRAWING DESCRIBES A DESIGN CONSIDERED PROPRIETARY IN NATURE, DEVELOPED AND MANUFACTURED BY SWITCHCRAFT INC. AND IS RELEASED ON A CONFIDENTIAL BASIS FOR IDENTIFICATION PURPOSES ONLY.									
SIZE		WIDTH		MULT		LBS/M		TEMPER	
FINISH SPEC No.						MATERIAL SPEC No.			
FIRST USED ON				SCALE 2:1		Switchcraft [®]			
DATE DRAWN	BY	CHKD	APVD						
2-25-04	KJB	MA	MA	5-12-04	5-12-04	SHEET 1 OF 1			
NAME AUDIO CONNECTOR, FEMALE, SOLDER CUP						PART No. E3FSCM4		REV A	