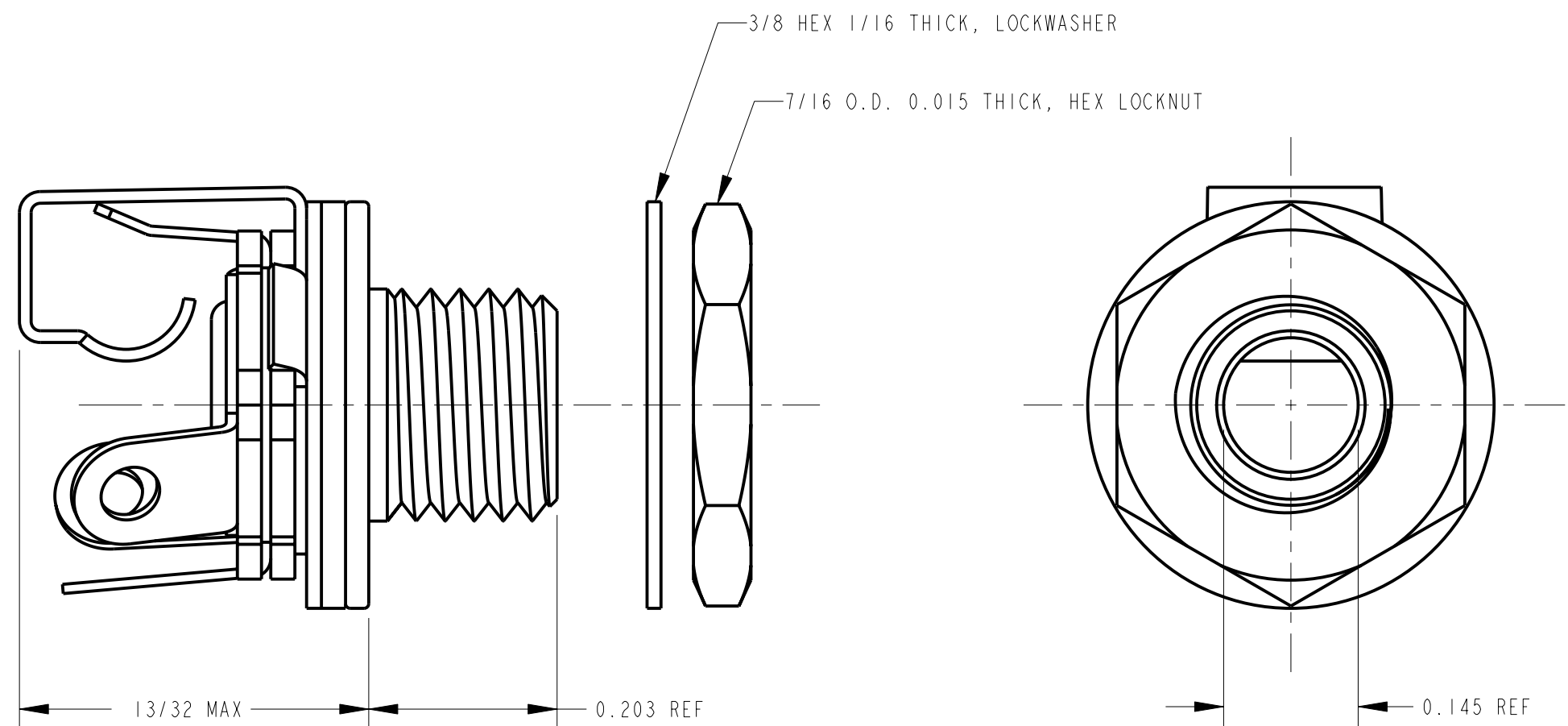
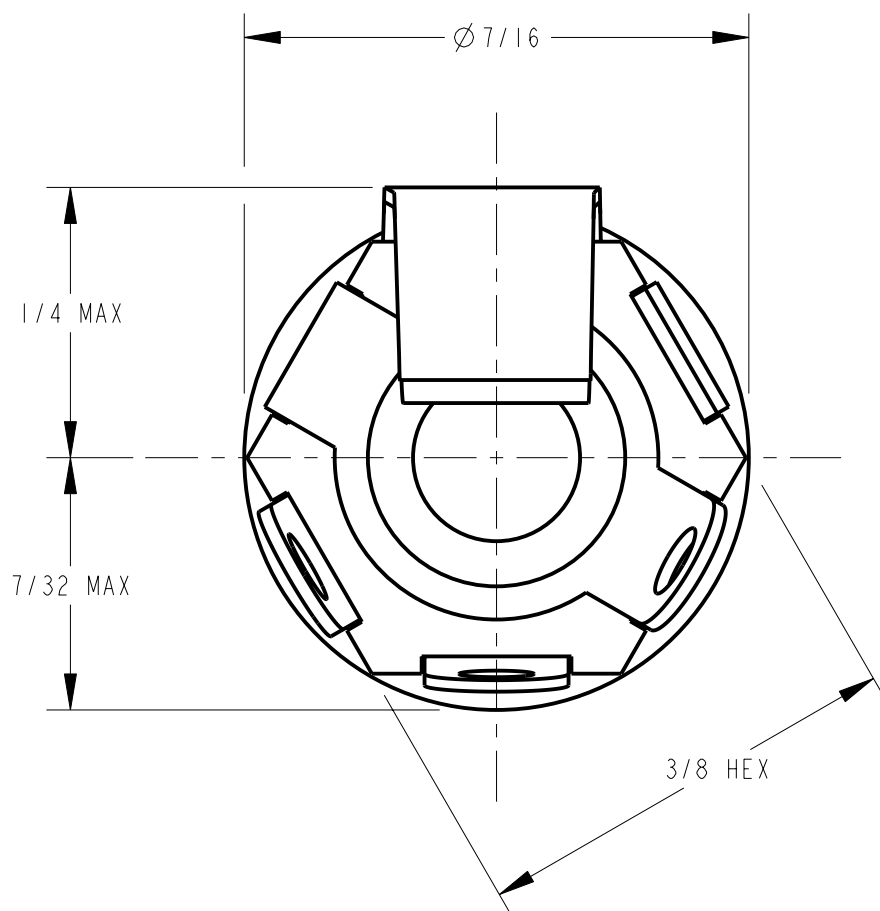
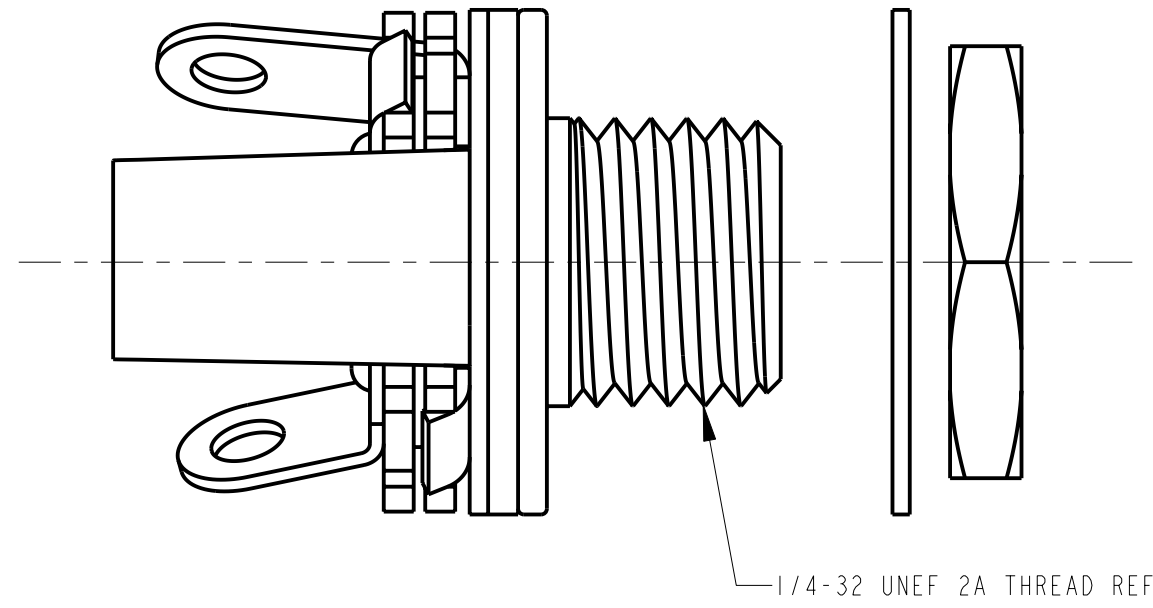
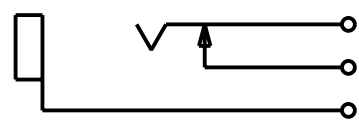


SCALE 4:1



SPECIFICATIONS:

- BUSHING - BRASS, NICKEL PLATED
- SPRING - NICKEL SILVER, SPRING TEMPERED
- SPACERS - PAPER BASE BAKEUTE XXP
- SLEEVE TERMINAL - BRASS, HOT TINNED
- WASHER - STEEL, NICKEL PLATED
- LOCKNUT - BRASS, NICKEL PLATED



SCHMATIC CIRCUIT

CUSTOMER DRAWING

| REV | ECO NUMBER | DATE | BY | APVD |
|-----------|---------------------------------|---------|----|------|
| E | REDRAWN WAS REV.D ECO #20875 | 7-16-97 | MM | JF |
| REVISIONS | | | | |

★ STAR SYMBOL DENOTES CRITICAL DIMENSION

UNLESS OTHERWISE SPECIFIED

1. ALL DIMENSIONS IN INCHES
 - TWO PLACE DECIMALS ±0.01
 - THREE PLACE DECIMALS ±0.005
 - FRACTIONAL DIMENSIONS ±1/64
 - ANGLES ±1°
 - ALL DIA. CONCENTRIC WITHIN 0.005 T.I.R.
2. FEATURES ON THE SAME CENTERLINE MUST BE ALIGNED WITHIN ±0.002
3. REMOVE ALL BURRS

DO NOT SCALE DRAWING

| | | | | |
|--|-------|----------------|---------------|---------------------|
| THIS DRAWING DESCRIBES A DESIGN CONSIDERED PROPRIETARY IN NATURE, DEVELOPED AND MANUFACTURED BY SWITCHCRAFT INC. AND IS RELEASED ON A CONFIDENTIAL BASIS FOR IDENTIFICATION PURPOSES ONLY. | | | | |
| SIZE | WIDTH | MULT | LBS/M | TEMPER |
| FINISH | | MATERIAL | | |
| SPEC No. | | SPEC No. | | |
| FIRST USED ON | | SCALE | | |
| | | 6:1 | | |
| DATE DRAWN | BY | CHKD | APVD | Switchcraft® |
| 4-14-64 | TRT | CJD 4-15-64 | LG 4-21-64 | |
| NAME | | | | REV |
| TINI-JAX 2 COND. | | | | E |
| PART No. | | | | |
| 42A | | | | |