

CUSTOMER PRINT

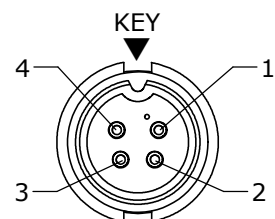
PART NUMBER: 3280-XPG-5XXW(CCX)

- NOTES:**
 1. ALL PART TO BE BULK PACKED
 2. CONTACTS SUPPLIED UNASSEMBLED
 3. ALL DIMENSION ARE REFERENCE ONLY

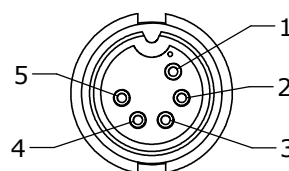
ASS'Y P/N	COUPLING RING COLOR
3280-XPG-5XXWCC1	WHITE
3280-XPG-5XXWCC2	RED
3280-XPG-5XXWCC3	BLUE
3280-XPG-5XXWCC4	LIGHT GREY
3280-XPG-5XXWCC5	YELLOW
3280-XPG-5XXWCC6	MAROON
3280-XPG-5XXWCC7	GREEN

CONN. KIT P/N	NO. OF CONTACTS
3280-4PG-5XXW	4-#20
3280-5PG-5XXW	5-#20
3280-6PG-5XXW	6-#20
3280-7PG-5XXW	7-#20
3280-8PG-5XXW	8-#20
3280-9PG-5XXW	9-#20

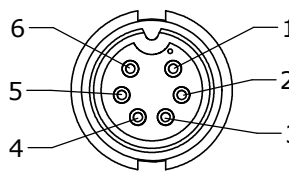
CONN. KIT P/N	GROMMET FOR CABLE	"X" DIM.
3280-XPG-515W	.156 I.D. FOR CABLE .15-.17 O.D. [3.8-4.3mm]	Ø0.77 [19.6mm]
3280-XPG-518W	.187 I.D. FOR CABLE .18-.20 O.D. [4.6-5.1mm]	Ø0.77 [19.6mm]
3280-XPG-521W	.225 I.D. FOR CABLE .21-.23 O.D. [5.3-5.8mm]	Ø0.77 [19.6mm]
3280-XPG-524W	.250 I.D. FOR CABLE .24-.27 O.D. [6.1-6.8mm]	Ø0.77 [19.6mm]
3280-XPG-528W	.285 I.D. FOR CABLE .28-.29 O.D. [7.1-7.4mm]	Ø0.77 [19.6mm]
3280-XPG-530W	.312 I.D. FOR CABLE .30-.32 O.D. [7.6-8.1mm]	Ø0.77 [19.6mm]
3280-XPG-535W	.375 I.D. FOR CABLE .35-.40 O.D. [8.9-10.2mm]	Ø0.83 [21.1mm]



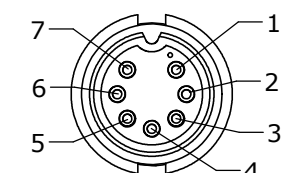
FACE VIEW
P/N: 3280-4PG-5XXW



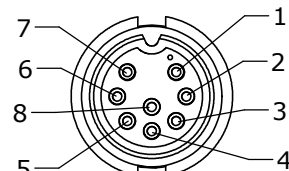
FACE VIEW
P/N: 3280-5PG-5XXW



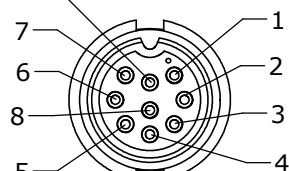
FACE VIEW
P/N: 3280-6PG-5XXW



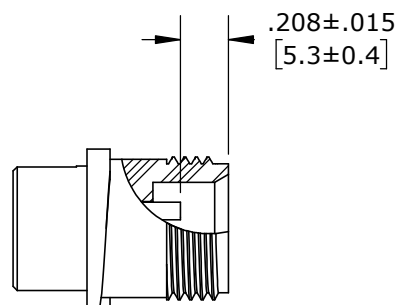
FACE VIEW
P/N: 3280-7PG-5XXW



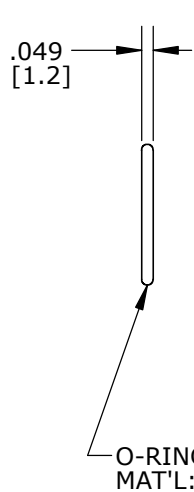
FACE VIEW
P/N: 3280-8PG-5XXW



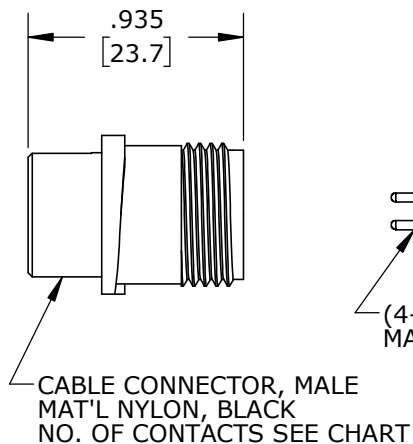
FACE VIEW
P/N: 3280-9PG-5XXW



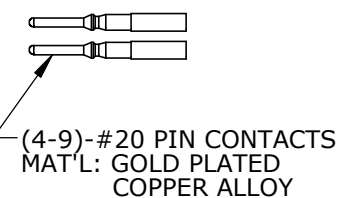
CONTACT HEIGHTS
FOR CUSTOMER REFERENCE



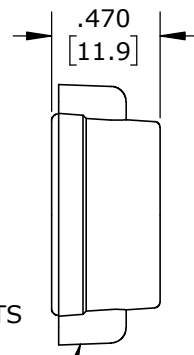
O-RING
MAT'L: RUBBER, BLACK



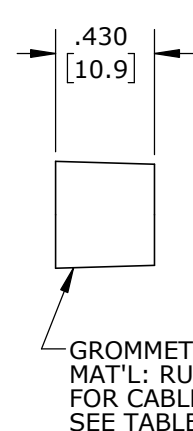
CABLE CONNECTOR, MALE
MAT'L: NYLON, BLACK
NO. OF CONTACTS SEE CHART



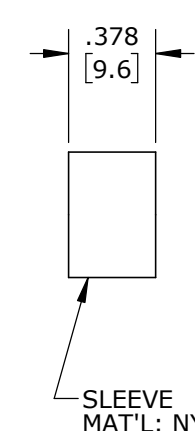
(4-9)-#20 PIN CONTACTS
MAT'L: GOLD PLATED COPPER ALLOY



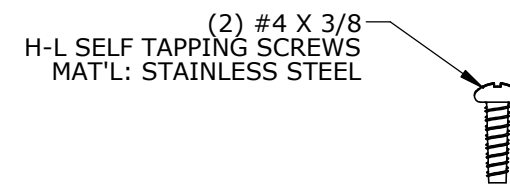
COUPLING RING
MAT'L: NYLON, BLACK
FOR 3280-XPG-5XXWCCX
SEE COUPLING RING COLOR CHART



GROMMET
MAT'L: RUBBER, BLACK
FOR CABLE O.D.
SEE TABLE



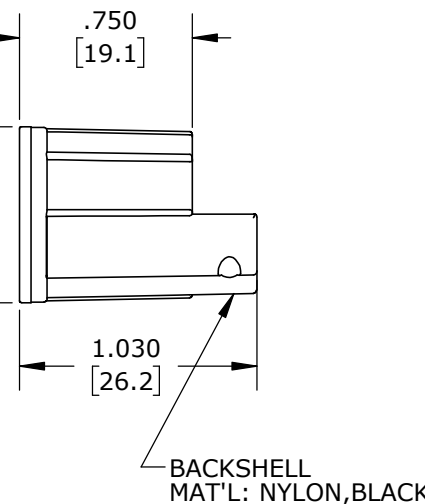
SLEEVE
MAT'L: NYLON, BLACK



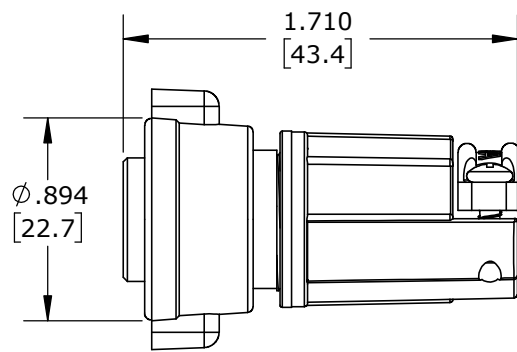
(2) #4 X 3/8
H-L SELF TAPPING SCREWS
MAT'L: STAINLESS STEEL



STRAP
MAT'L: NYLON, BLACK



BACKSHELL
MAT'L: NYLON, BLACK



ASSEMBLED VIEW
FOR CUSTOMER REFERENCE

DIMENSIONS IN BRACKETS [] ARE METRIC

CUSTOMER APPROVAL

THIS DOCUMENT CONTAINS CONFIDENTIAL INFORMATION PROPRIETARY TO CONXALL CORPORATION. ANY REPRODUCTION, DISCLOSURE, OR USE OF THIS DOCUMENT / INFORMATION IS EXPRESSLY PROHIBITED UNLESS AUTHORIZED IN WRITING BY CONXALL CORPORATION.

APPROVED BY: _____
DATE: _____

RoHS COMPLIANT

A	AN	03-17-21	DRAWING CREATED PER 15-E253SL #39	
REV.	INIT.	DATE	DESCRIPTION	
	AN	02-22-21	ORIG. DRAWN BY: _____ DATE: 02-22-21 CHECKED BY: _____ APPROVED BY: _____ SCALE: NTS SIZE: B SHEET: 1 OF 1 FILE: 3280-XPG-5XXW(CCX) DIRECTORY: SLW	
ALL INFORMATION ILLUSTRATED IS THE PROPERTY OF "CONXALL CORPORATION". UNAUTHORIZED DUPLICATION OR DISTRIBUTION OF THIS DOCUMENT IS PROHIBITED. ALL UNITS ARE IN FEET, INCHES, FRACTION OF INCHES AND DECIMALS.			601 E. WILDWOOD VILLA PARK, IL 60181 TITLE: CONNECTOR ASS'Y KIT (4-9) #20 PIN CONTACTS (CRIMP) MULTI-CON-X, W/WINGED COUPLING NUT CUSTOMER: STANDARD PRODUCT	
- CRITICAL CHARACTERISTIC FLAG PER SPEC. XXXX			PART NUMBER: 3280-XPG-5XXW(CCX)	REV A