

CUSTOMER PRINT

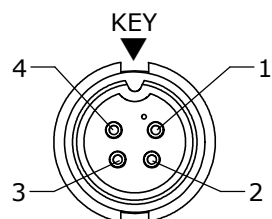
PART NUMBER: 3280-XPG-5XX(CCX)

- NOTES:**
 1. ALL PART TO BE BULK PACKED
 2. CONTACTS SUPPLIED UNASSEMBLED
 3. ALL DIMENSION ARE REFERENCE ONLY

| ASS'Y P/N | COUPLING RING COLOR |
|-----------------|---------------------|
| 3280-XPG-5XXCC1 | WHITE |
| 3280-XPG-5XXCC2 | RED |
| 3280-XPG-5XXCC3 | BLUE |
| 3280-XPG-5XXCC4 | LIGHT GREY |
| 3280-XPG-5XXCC5 | YELLOW |
| 3280-XPG-5XXCC6 | MAROON |
| 3280-XPG-5XXCC7 | GREEN |

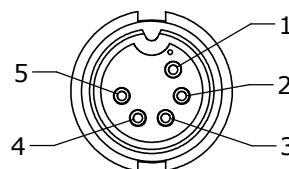
| CONN. KIT P/N | NO. OF CONTACTS |
|---------------|-----------------|
| 3280-4PG-5XX | 4-#20 |
| 3280-5PG-5XX | 5-#20 |
| 3280-6PG-5XX | 6-#20 |
| 3280-7PG-5XX | 7-#20 |
| 3280-8PG-5XX | 8-#20 |
| 3280-9PG-5XX | 9-#20 |

| CONN. KIT P/N | GROMMET FOR CABLE | "X" DIM. |
|---------------|---|-----------------|
| 3280-XPG-5DC | SEE DAISY CHAIN | Ø 0.77 [19.6mm] |
| 3280-XPG-515 | .156 I.D. FOR CABLE .15-.17 O.D. [3.8-4.3mm] | Ø 0.77 [19.6mm] |
| 3280-XPG-518 | .187 I.D. FOR CABLE .18-.20 O.D. [4.6-5.1mm] | Ø 0.77 [19.6mm] |
| 3280-XPG-521 | .225 I.D. FOR CABLE .21-.23 O.D. [5.3-5.8mm] | Ø 0.77 [19.6mm] |
| 3280-XPG-524 | .250 I.D. FOR CABLE .24-.27 O.D. [6.1-6.8mm] | Ø 0.77 [19.6mm] |
| 3280-XPG-528 | .285 I.D. FOR CABLE .28-.29 O.D. [7.1-7.4mm] | Ø 0.77 [19.6mm] |
| 3280-XPG-530 | .312 I.D. FOR CABLE .30-.32 O.D. [7.6-8.1mm] | Ø 0.77 [19.6mm] |
| 3280-XPG-535 | .375 I.D. FOR CABLE .35-.40 O.D. [8.9-10.2mm] | Ø 0.83 [21.1mm] |



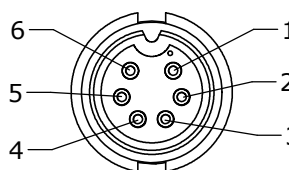
FACE VIEW

P/N: 3280-4PG-5XX



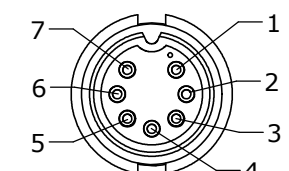
FACE VIEW

P/N: 3280-5PG-5XX



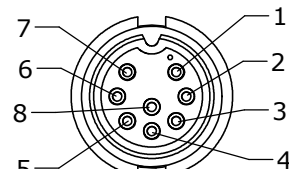
FACE VIEW

P/N: 3280-6PG-5XX



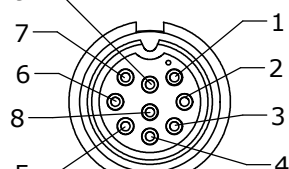
FACE VIEW

P/N: 3280-7PG-5XX



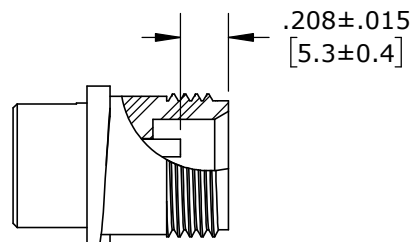
FACE VIEW

P/N: 3280-8PG-5XX

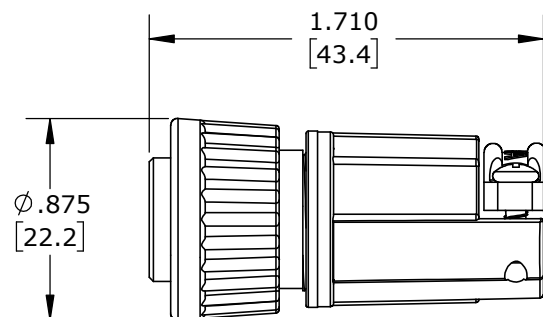
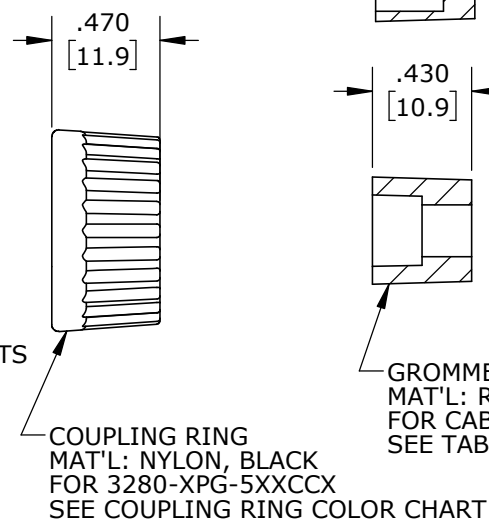
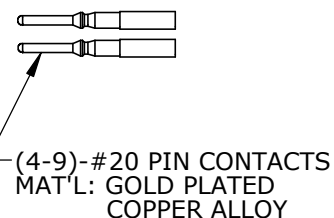
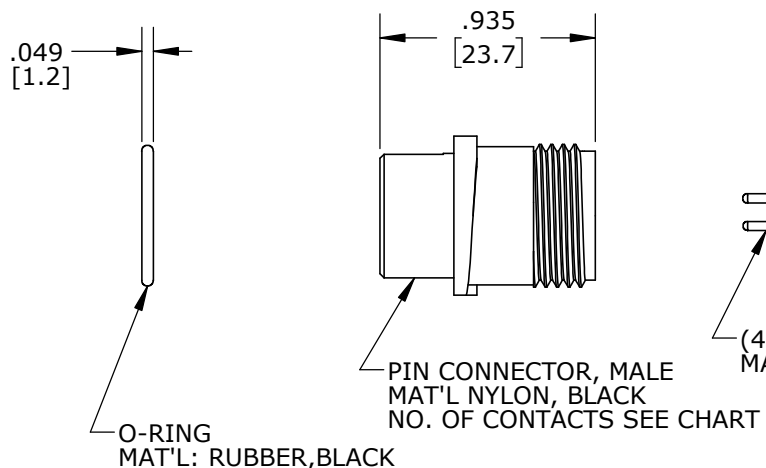


FACE VIEW

P/N: 3280-9PG-5XX



CONTACT HEIGHTS
FOR CUSTOMER REFERENCE



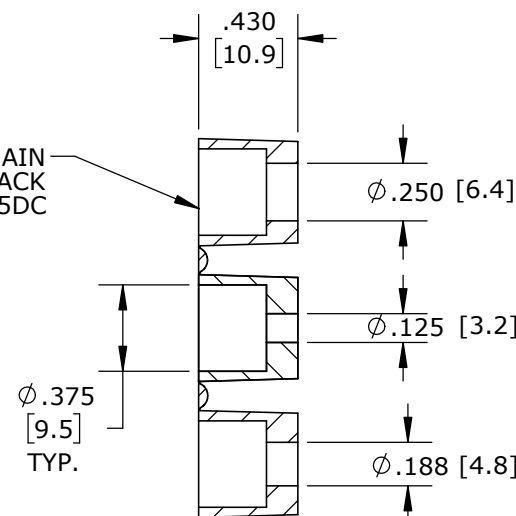
ASSEMBLED VIEW
FOR CUSTOMER REFERENCE

DIMENSIONS IN BRACKETS [] ARE METRIC

GROMMET SIZE FOR SINGLE GROMMET OR "DC" FOR DAISY CHAIN SEE LIST

NO OF CONTACTS

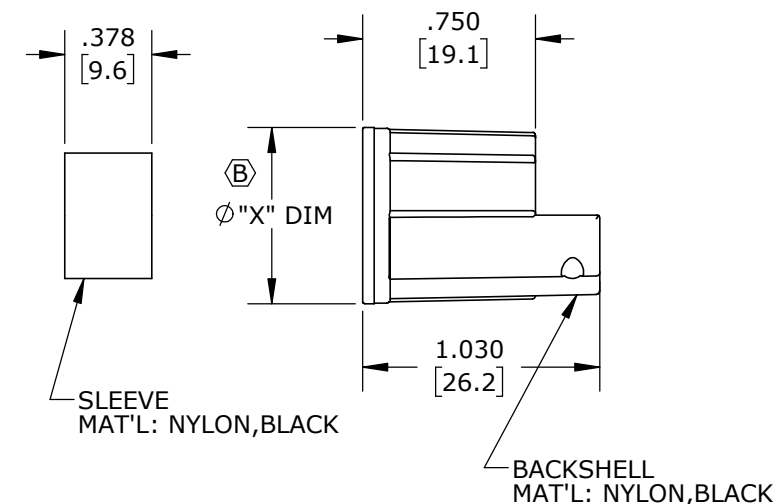
GROMMET, DAISY CHAIN
MAT'L: RUBBER, BLACK
FOR 3280-XPG-5DC



GROMMET
MAT'L: RUBBER, BLACK
FOR CABLE O.D.
SEE TABLE

(2) #4 X 3/8
H-L SELF TAPPING SCREWS
MAT'L: STAINLESS STEEL

STRAP
MAT'L NYLON, BLACK



CUSTOMER APPROVAL

THIS DOCUMENT CONTAINS CONFIDENTIAL INFORMATION PROPRIETARY TO CONXALL CORPORATION. ANY REPRODUCTION, DISCLOSURE, OR USE OF THIS DOCUMENT /INFORMATION IS EXPRESSLY PROHIBITED UNLESS AUTHORIZED IN WRITING BY CONXALL CORPORATION.

APPROVED BY: _____
DATE: _____

RoHS COMPLIANT

| | | | |
|--|----------------|---|--|
| B | AN | 03-22-21 | DRAWING NUMBER WAS 3280-XPG-5XX, ADDED COUPLING RING TABLE AND CONTACT HEIGHT VIEW, ADDED 3280-XPG-535, AND "X" DIM. TO CHART, UPDATED STRAP STYLE. PER ECR 9543 |
| A | SS | 01-14-19 | DRAWING CREATED PER DOR 19-E149SL #1 SUPERSEDED DRAWING 3280-8PG-5XX |
| REV. | INIT. | DATE | DESCRIPTION |
| | | | ORIG. DRAWN BY: SS DATE: 01-14-19 |
| ALL INFORMATION ILLUSTRATED IS THE PROPERTY OF CONXALL CORPORATION. UNAUTHORIZED DUPLICATION OR DISTRIBUTION OF THIS DOCUMENT IS PROHIBITED. | | | <p>601 E. WILDWOOD VILLA PARK, IL 60181</p> |
| ALL UNITS ARE IN FEET, INCHES, FRACTION OF INCHES AND DECIMALS. | | | |
| APPROVED BY: | | TITLE: CONNECTOR ASS'Y KIT (4-9) #20 PIN CONTACTS (CRIMP) MULTI-CON-X | |
| SCALE: NTS | SIZE: B | SHEET: 1 OF 1 | CUSTOMER: STANDARD PRODUCT |
| FILE: 3280-XPG-5XX(CCX) | DIRECTORY: SLW | PART NUMBER: 3280-XPG-5XX(CCX) | REV: B |