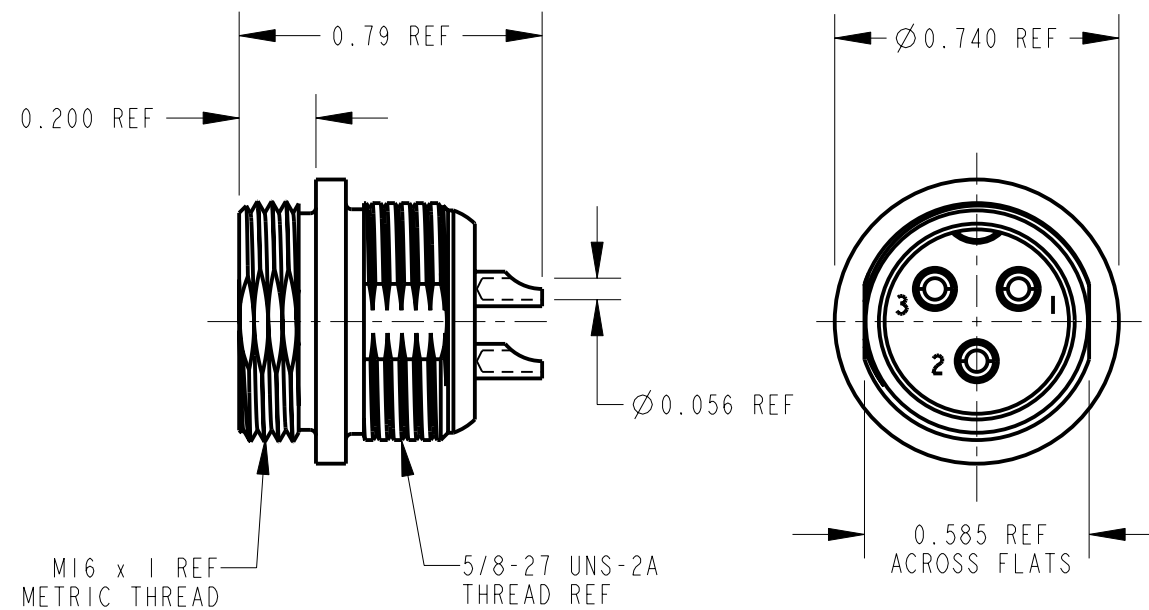
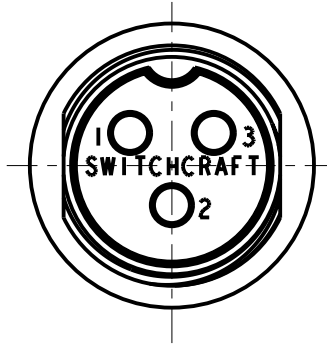
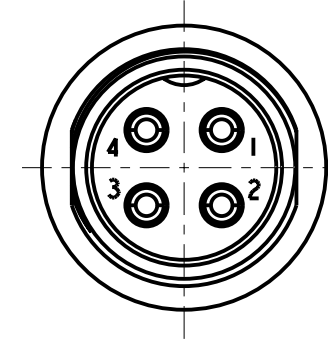
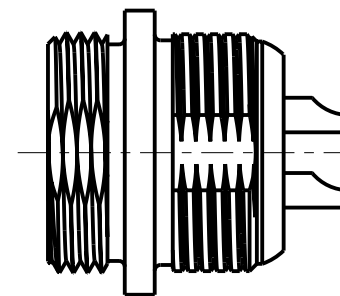
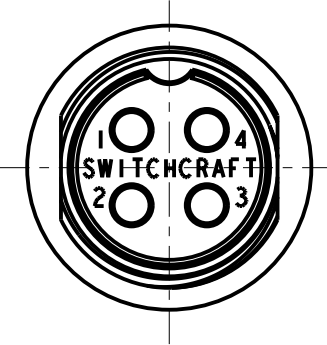


CB3MX



CB4MX



CUSTOMER DRAWING

NOTES:

1. MATERIALS
 - HOUSING, ZINC, NICKEL PLATED
 - INSULATOR, VALOX, BLACK
 - PINS, BRASS, SILVER PLATED
 - FLAT WASHER, STEEL, NICKEL PLATED
 - LOCK WASHER, SPRING STEEL, NICKEL PLATED
 - HEX NUT, BRASS, NICKEL PLATED
2. THESE PRODUCTS ARE RoHS COMPLIANT.

| | | | | | | | | | | |
|-----------|-------|---------|-----|-----|---|--|-------|-------------|-------|---------------------------------|
| | | | | | ★ STAR SYMBOL DENOTES CRITICAL DIMENSION | THIS DRAWING DESCRIBES A DESIGN CONSIDERED PROPRIETARY IN NATURE, DEVELOPED AND MANUFACTURED BY SWITCHCRAFT INC. AND IS RELEASED ON A CONFIDENTIAL BASIS FOR IDENTIFICATION PURPOSES ONLY. | | | | |
| | | | | | UNLESS OTHERWISE SPECIFIED | SIZE | WIDTH | MULT | LBS/M | TEMPER |
| | | | | | 1. ALL DIMENSIONS IN INCHES - TWO PLACE DECIMALS ±0.01 - THREE PLACE DECIMALS ±0.005 - ANGLES ±1° - ALL DIA. CONCENTRIC WITHIN 0.005 T.I.R. | FINISH | | MATERIAL | | |
| | | | | | 2. FEATURES ON THE SAME CENTERLINE MUST BE ALIGNED WITHIN ±0.002 | SPEC No. | | SPEC No. | | |
| | | | | | 3. REMOVE ALL BURRS | FIRST USED ON | | SCALE | | Switchcraft [®] |
| | | | | | | DATE DRAWN | BY | CHKD | APVD | |
| A | 26150 | 12-8-06 | TJK | TJK | | 08-Dec-06 | TJK | TJK | TJK | SHEET OF |
| REVISIONS | | | | | DO NOT SCALE DRAWING | NAME | | PART No. | | REV |
| | | | | | | CB MALE RECEPTACLE ASSEMBLY, RoHS | | CB3MX CB4MX | | A |