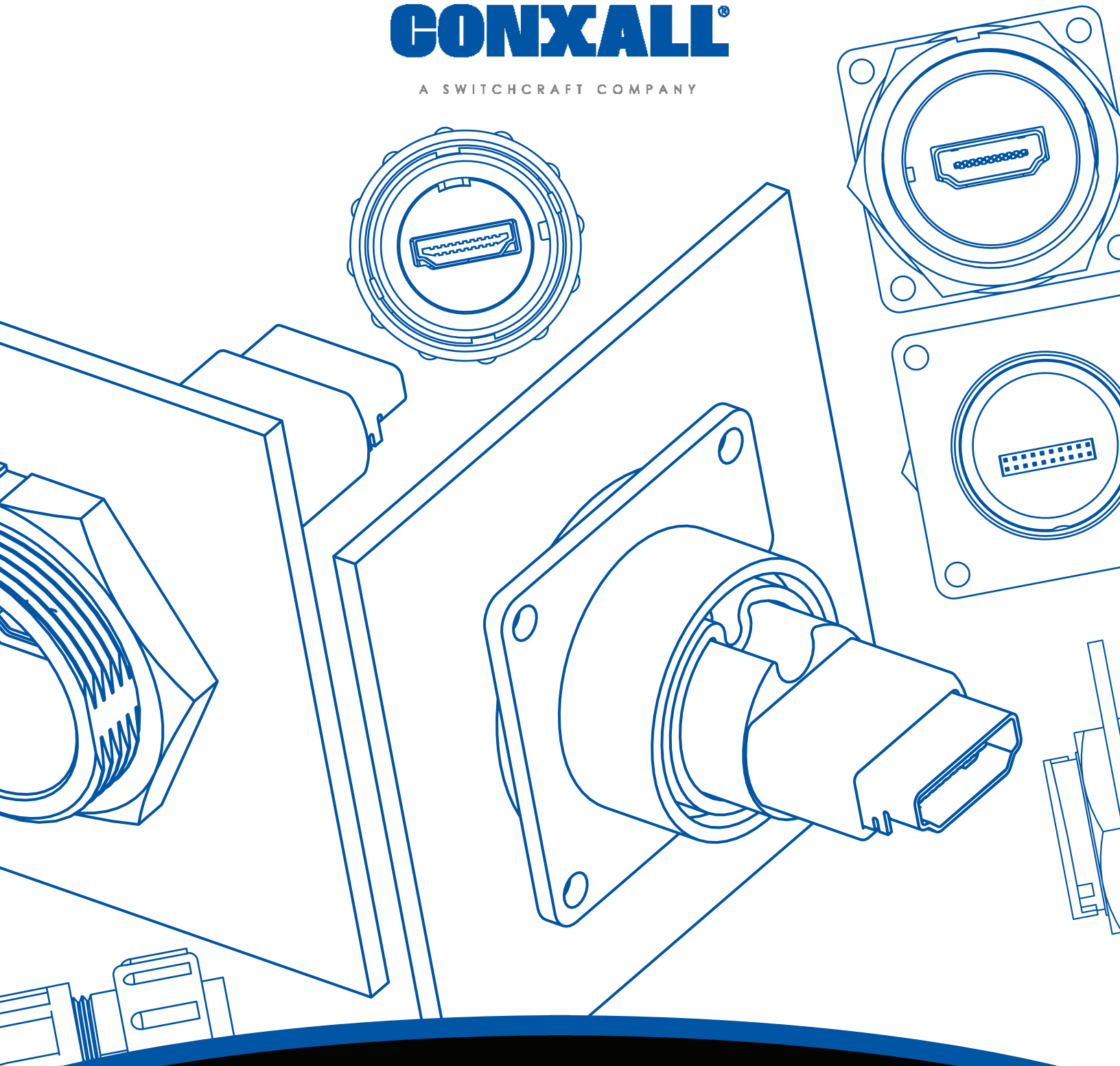


CONXALL®

A SWITCHCRAFT COMPANY



*HDMI-STYLE WEATHERTIGHT CONNECTORS

NPB | C714

*HDMI-STYLE WEATHERTIGHT CONNECTORS

NPB | C714



FEATURES & BENEFITS

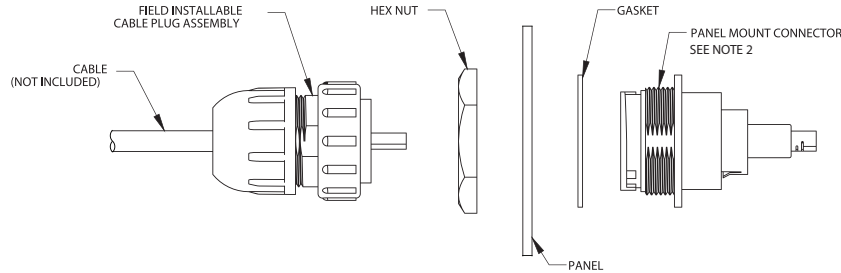
- Sealed to IP67 & IP68 NEMA 250 (6P)
(when panel connector is rear mounted
and mated to the cable)
- Feed-thru termination on the panel for
easy field installation
- Easy to assemble
- Quick connect bayonet or threaded
style interface
- RoHS Compliant - UV F1 rated housing

APPLICATIONS

- Data transmission
- Military or industrial
GPS location devices
- Instrumentation
- Medical data carts
- Data acquisition units
- General industrial applications

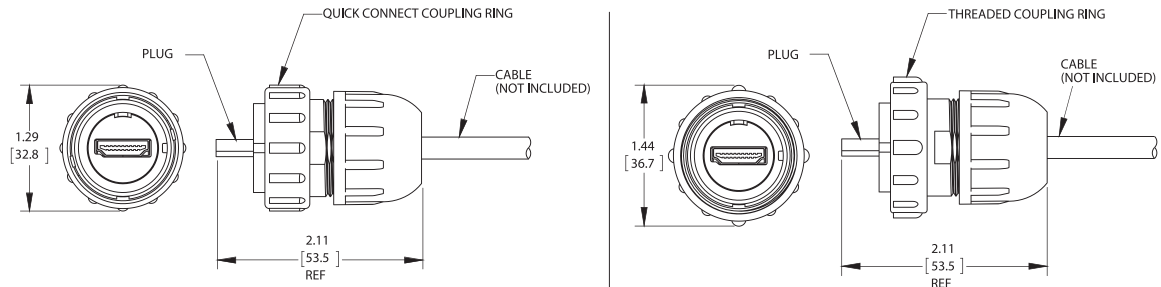
*HDMI-STYLE WEATHERTIGHT CONNECTORS

NPB | C714



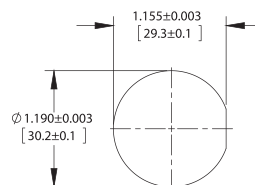
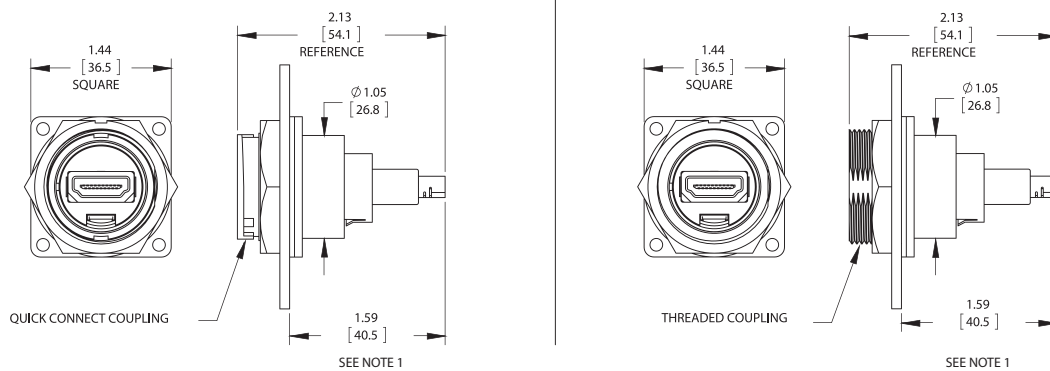
INDUSTRIAL CABLE PLUG
 QUICK CONNECT COUPLING
 (DCC-HDMIB-310 SHOWN)

INDUSTRIAL CABLE PLUG
 THREADED COUPLING
 (DCC-HDMIT-310 SHOWN)



DCP-HDMIB-F SHOWN
 (FEED-THRU CONNECTOR WITH QUICK-CONNECT COUPLING)

DCP-HDMIT-F SHOWN
 (FEED-THRU CONNECTOR WITH THREADED COUPLING)



RECOMMENDED PANEL CUT-OUT
 QUICK CONNECT COUPLING
 OR THREADED COUPLING

NOTE 1: THE DIMENSION DOES NOT INCLUDE GASKET COMPRESSION.

NOTE 2: THE PANEL CONNECTOR MEETS IP67 & IP68, NEMA 250 (6P) WHEN CONNECTOR IS REAR MOUNTED USING THE HEX NUT.

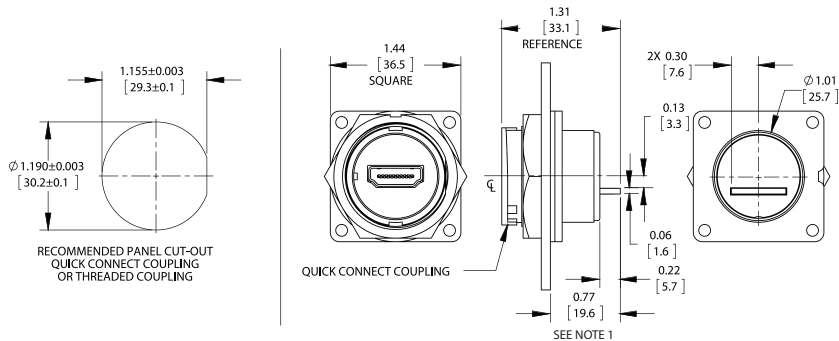
UNITS ARE LISTED IN INCHES [mm]. ALL DIMENSIONS ARE REFERENCE ONLY.

PLEASE VISIT WWW.CONXALL.COM FOR THE MOST UP-TO-DATE PRODUCT SPECIFICATIONS.

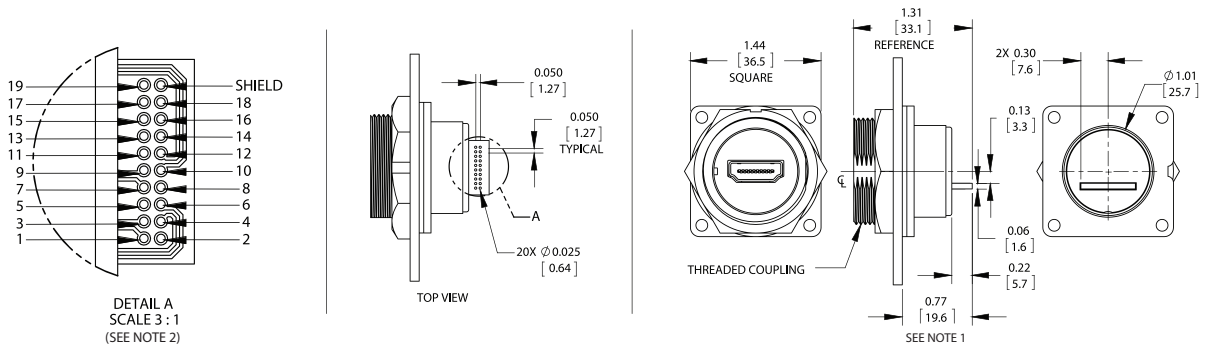
*HDMI-STYLE WEATHERTIGHT CONNECTORS

NPB | C714

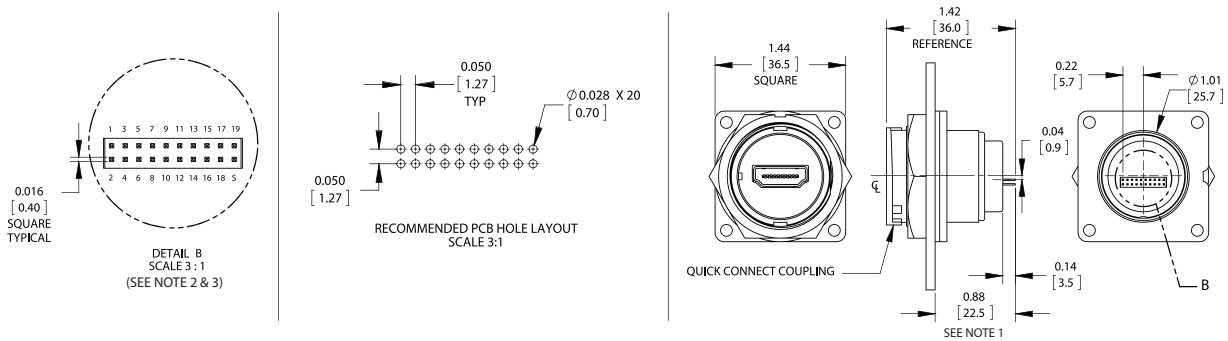
DCP-HDMIB-SC SHOWN
(CONNECTOR TO PCB HOLES WITH QUICK-CONNECT COUPLING)



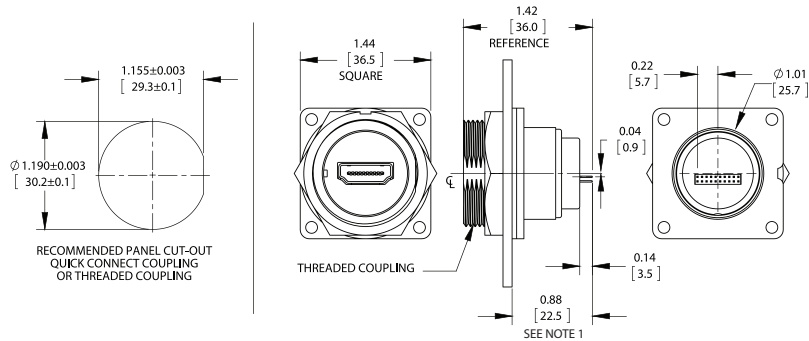
DCP-HDMIT-SC SHOWN
(CONNECTOR TO PCB HOLES WITH THREADED COUPLING)



DCP-HDMIB-HD SHOWN
(CONNECTOR TO HEADER WITH QUICK-CONNECT COUPLING)



DCP-HDMIT-HD SHOWN
(CONNECTOR TO HEADER WITH THREADED COUPLING)



NOTE 1: THE DIMENSION DOES NOT INCLUDE GASKET COMPRESSION. NOTE 2: THE PINOUT IS TYPICAL FOR THREADED OR QUICK CONNECT COUPLING.
NOTE 3: THE NUMBERS ARE FOR REFERENCE ONLY AND DO NOT APPEAR ON THE PART.
UNITS ARE LISTED IN INCHES [mm]. ALL DIMENSIONS ARE REFERENCE ONLY.

PLEASE VISIT WWW.CONXALL.COM FOR THE MOST UP-TO-DATE PRODUCT SPECIFICATIONS.

*HDMI-STYLE WEATHERTIGHT CONNECTORS

NPB | C714

SPECIFICATIONS

MECHANICAL SPECIFICATIONS

| | |
|-------------------------|---|
| Life: | Minimum 350 insertion/withdrawal cycles |
| Hex Nut Torque: | 10-12 in-lb max |
| Coupling Locking Style: | Quick Connect (Bayonet) or Threaded |
| Backshell Style: | Threaded Nut-Squeezed Grommet |

ELECTRICAL SPECIFICATIONS

| | |
|----------------------------------|-----------------------------|
| Current Rating: | 0.5 A |
| Contact Resistance: | 50 mΩ max |
| Insulation Resistance: | 10 MΩ min (mated) |
| Dielectric Withstanding Voltage: | 300 V AC/one minute (mated) |

ENVIRONMENTAL SPECIFICATIONS

| | |
|------------------------------|--|
| Temperature Rating: | -20 °C to +80 °C (-4°F to +176°F) |
| Moisture Resistance: | Mil-Std 202G Method 106G |
| Insulation Resistance: | Mil-Std 202G Method 302 |
| Vibration: | Mil-Std 202G Method 201A |
| Thermal Shock: | Mil-Std 202G Method 107G |
| Weathertight: | IP67 & IP68, NEMA 250 (6P) (when rear mounted & mated) |
| Salt Atmosphere (Corrosion): | Mil-Std 202G Method 101E |

MATERIAL SPECIFICATIONS

| | |
|--------------------------|---------------------------------------|
| Plug Nut, Coupling Ring: | Thermoplastic |
| Plug Housing, Insert: | Thermoplastic |
| Sealing Ring, O-Ring: | Elastomer |
| Panel Housing, Hex Nut: | Thermoplastic |
| Gasket: | Elastomer |
| *HDMI-Style Plug: | |
| Shell: | Copper Alloy, Nickel Plated |
| Contacts: | Copper Alloy, Gold Plated over Nickel |
| Insulator: | Thermoplastic |
| PCB: | FR-4 |

*HDMI-Style Feed-Thru Receptacle:

| | |
|------------|-----------------------------|
| Shell: | Copper Alloy, Nickel Plated |
| Contacts: | Copper Alloy, Gold Plated |
| Insulator: | Thermoplastic |

*HDMI-Style PCB Receptacle:

| | |
|------------|-------------------------------------|
| Shell: | Copper Alloy, Tin Plated |
| Contacts: | Copper Alloy, Selective Gold Plated |
| Insulator: | Thermoplastic |

MOLDED CABLE ASSEMBLIES

Consult factory for molded options

OTHER

| | |
|------------------------------|---|
| Flame Rating: | UL 94V-0 |
| Recommended Panel Thickness: | 1/32" - 3/16" [0.8mm to 4.8mm] - Quick Connect Coupling 1/32" - 5/32" [0.8mm to 3.9mm] - Threaded Coupling |

Recommended Cable Type

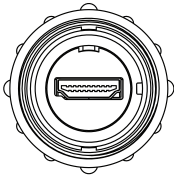
| | |
|-------------------------|-----------------------------|
| Cable Type: | *HDMI-Style |
| Outer Cable O.D. Range: | 0.197"-0.236" [5.0mm-6.0mm] |

*HDMI-STYLE WEATHERTIGHT CONNECTORS

NPB | C714

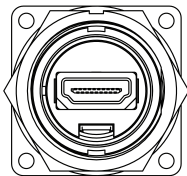
PART NUMBERS

INDUSTRIAL PLUG - FIELD INSTALLABLE



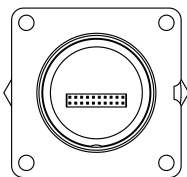
| PART NUMBER | COUPLING TYPE |
|---------------|---------------|
| DCC-HDMIB-310 | QUICK CONNECT |
| DCC-HDMIT-310 | THREADED |

PANEL CONNECTOR - FEED-THRU



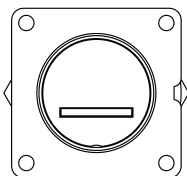
| PART NUMBER | COUPLING TYPE | DESCRIPTION |
|-------------|---------------|------------------------------|
| DCP-HDMIB-F | QUICK CONNECT | FEED-THRU PANEL CONNECTOR |
| DCP-HDMIT-F | THREADED | FEED-THRU PANEL CONNECTOR |

PANEL CONNECTOR - TO HEADER



| PART NUMBER | COUPLING TYPE | DESCRIPTION |
|--------------|---------------|-------------------------------|
| DCP-HDMIB-HD | QUICK CONNECT | CONNECTOR TO 20 PIN HEADER |
| DCP-HDMIT-HD | THREADED | CONNECTOR TO 20 PIN HEADER |

PANEL CONNECTOR - TO PCB HOLES



| PART NUMBER | COUPLING TYPE | DESCRIPTION |
|--------------|---------------|---------------------------|
| DCP-HDMIB-SC | QUICK CONNECT | CONNECTOR TO PCB HOLES |
| DCP-HDMIT-SC | THREADED | CONNECTOR TO PCB HOLES |

*HDMI is a registered trademark of HDMI Licensing L.L.C. Corporation